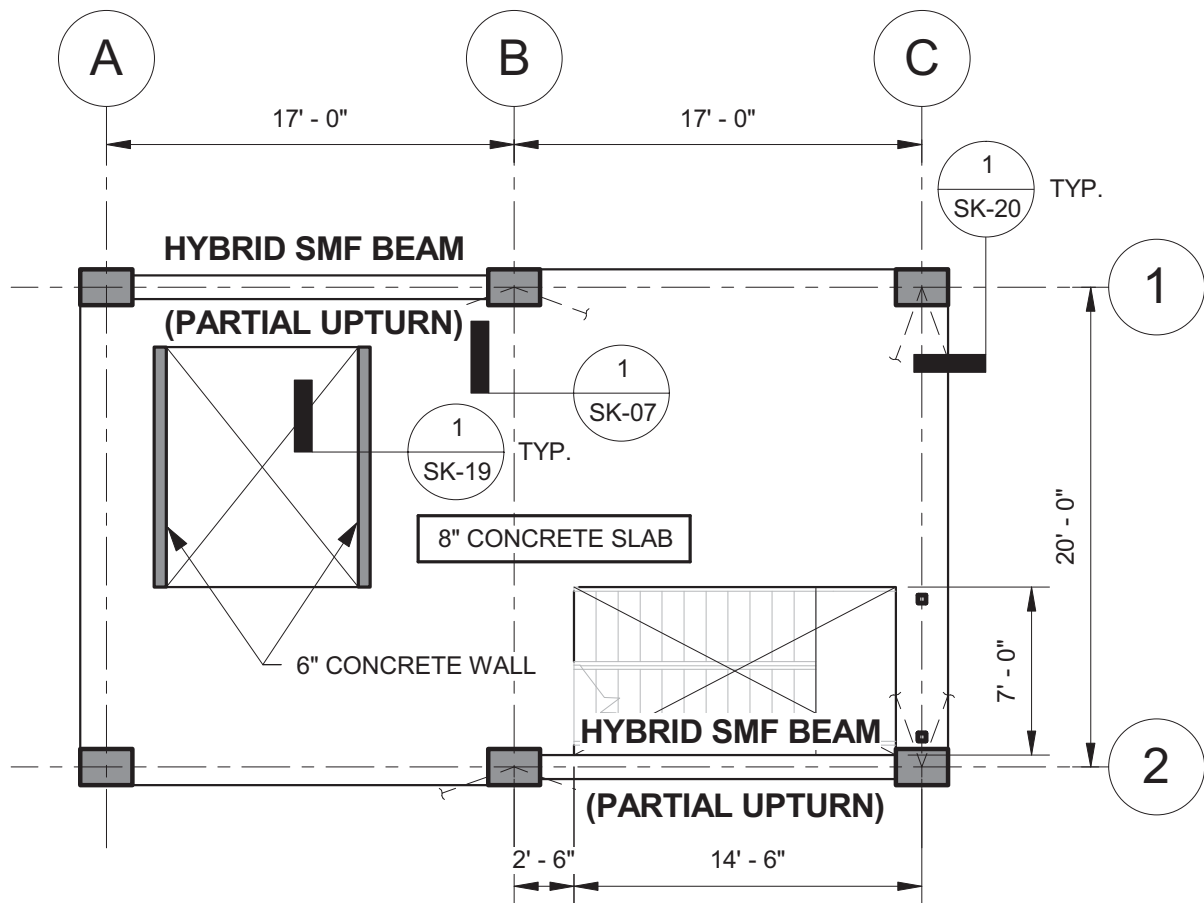


LEVEL 1 & FOUNDATION
 PLAN
 TEST SPECIMEN A

Figure
SK-00

Date
 10.15.2010

Design Development



LEVEL 2 FRAMING PLAN

Figure

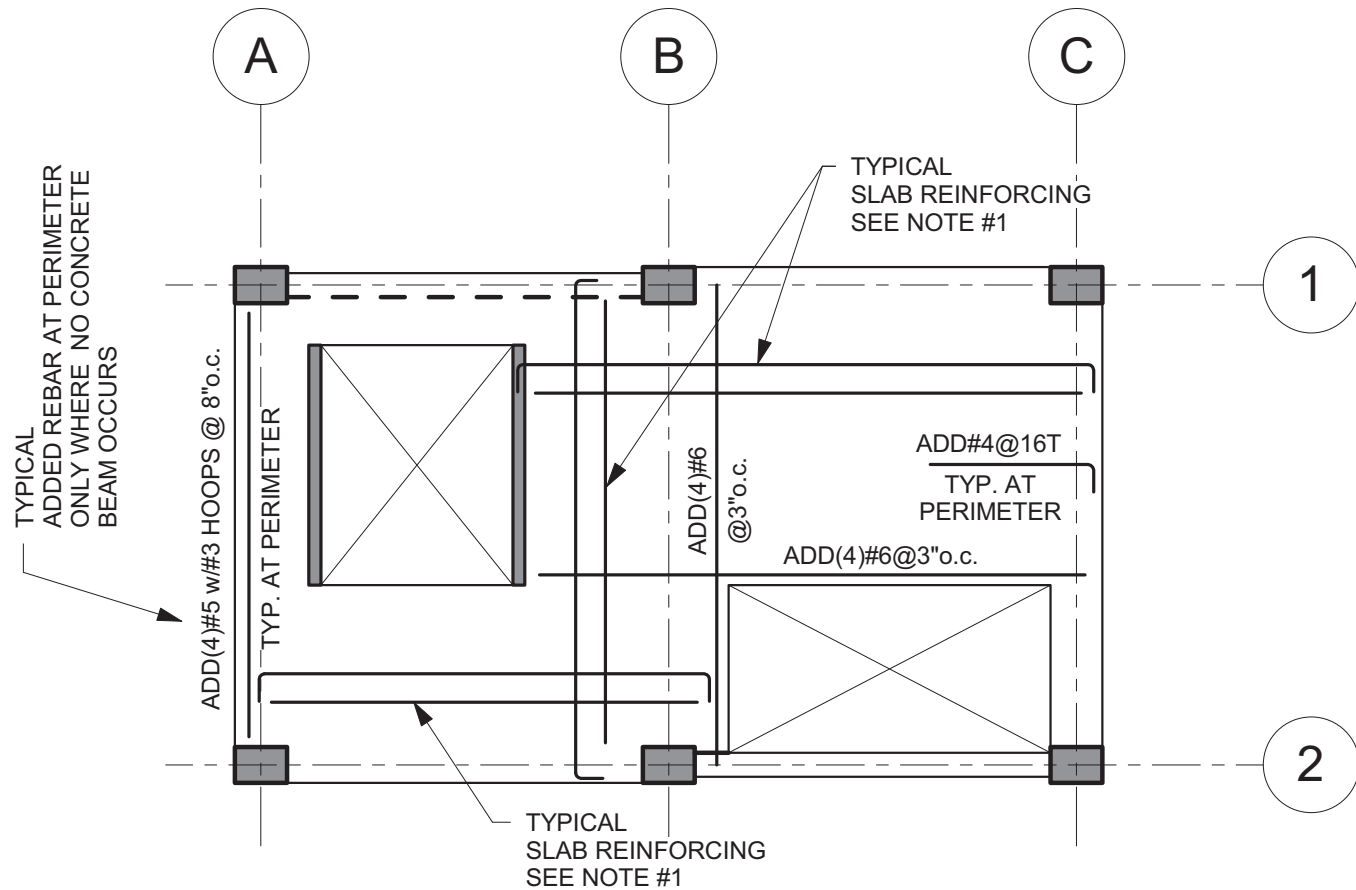
TEST SPECIMEN A

SK-01

Date

10.15.2010

Design Development



NOTES:

1. TYPICAL SLAB REINFORCING SHALL BE #5@8 BOTTOM EA. WAY AND #4@16 TOP EA. WAY.
2. ALL REINFORCING NOTED ON PLAN IS ADDED REINFORCING.
3. ALL REINFORCING SHALL BE PLACED AS FOLLOWS:
 - A. NORTH-SOUTH DIRECTION OUTSIDE LAYER.
 - B. EAST-WEST DIRECTION INSIDE LAYER.

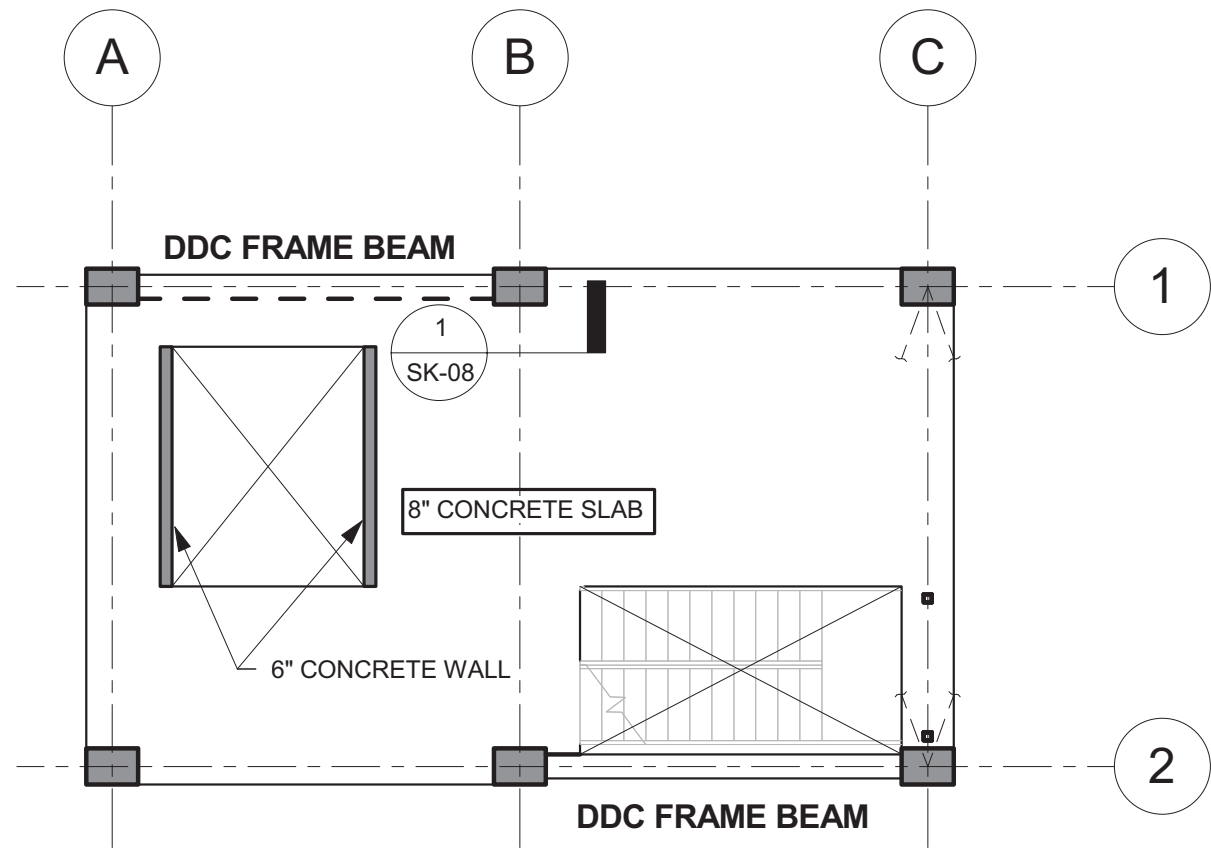
TYPICAL SLAB
REINFORCING PLAN
TEST SPECIMEN A

Figure

SK-01A

Date
10.15.2010

Design Development



LEVEL 3 FRAMING PLAN

Figure

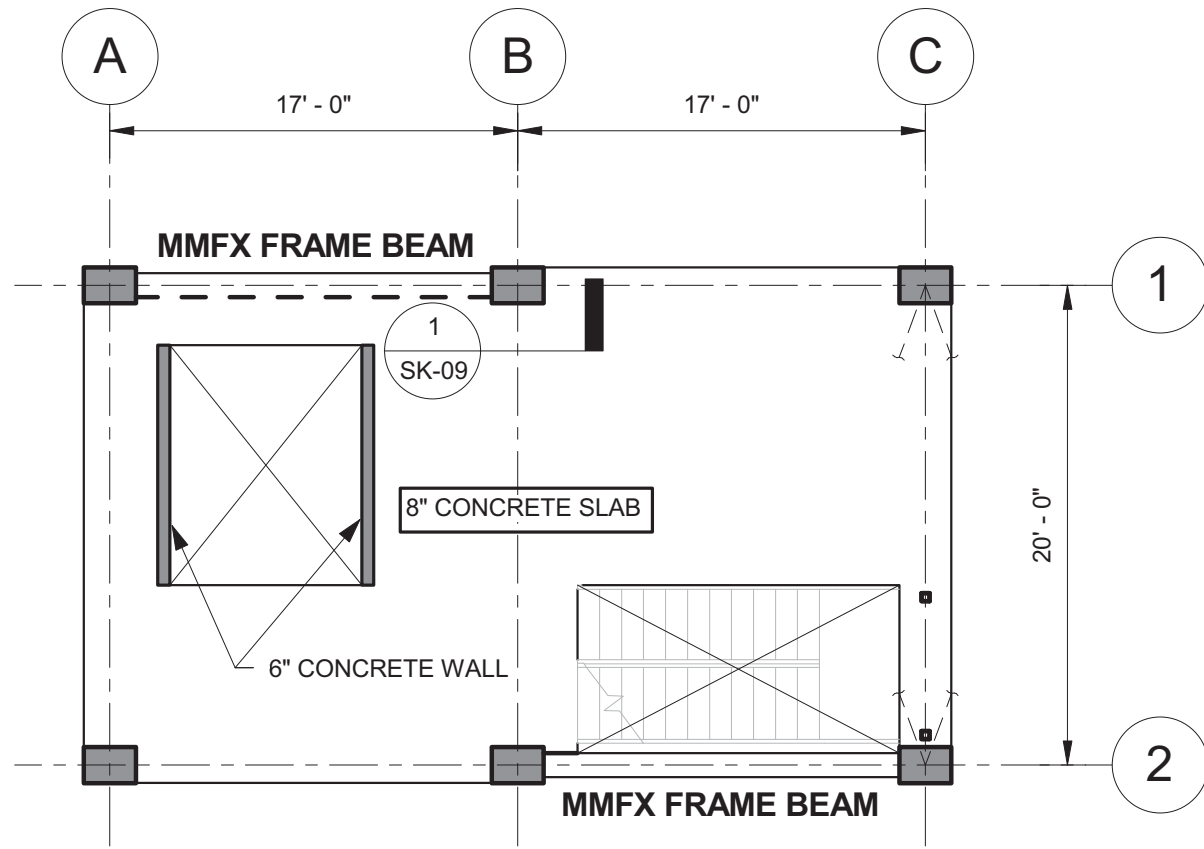
TEST SPECIMEN A

SK-02

Date

10.15.2010

Design Development



LEVEL 4 FRAMING PLAN

Figure

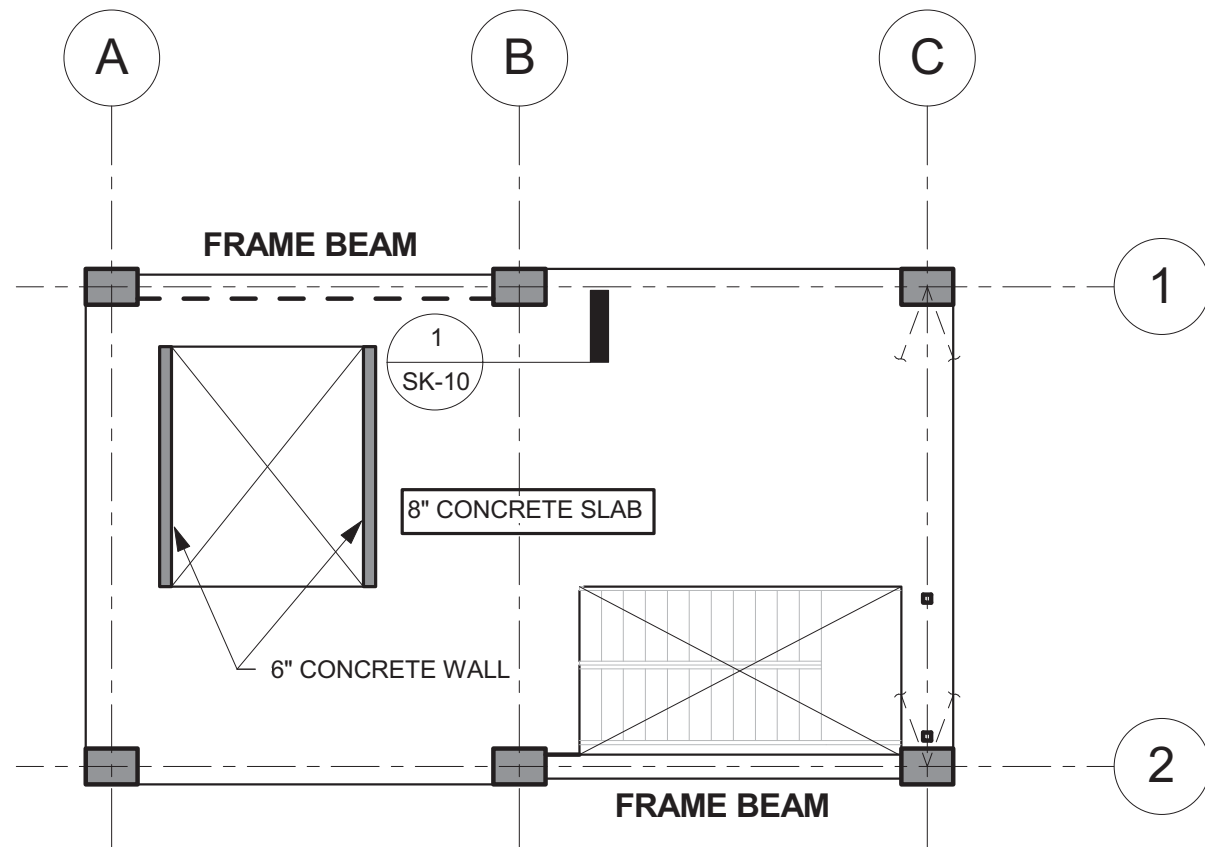
TEST SPECIMEN A

SK-03

Date

10.15.2010

Design Development



LEVEL 5 AND ROOF
FRAMING PLAN
TEST SPECIMEN A

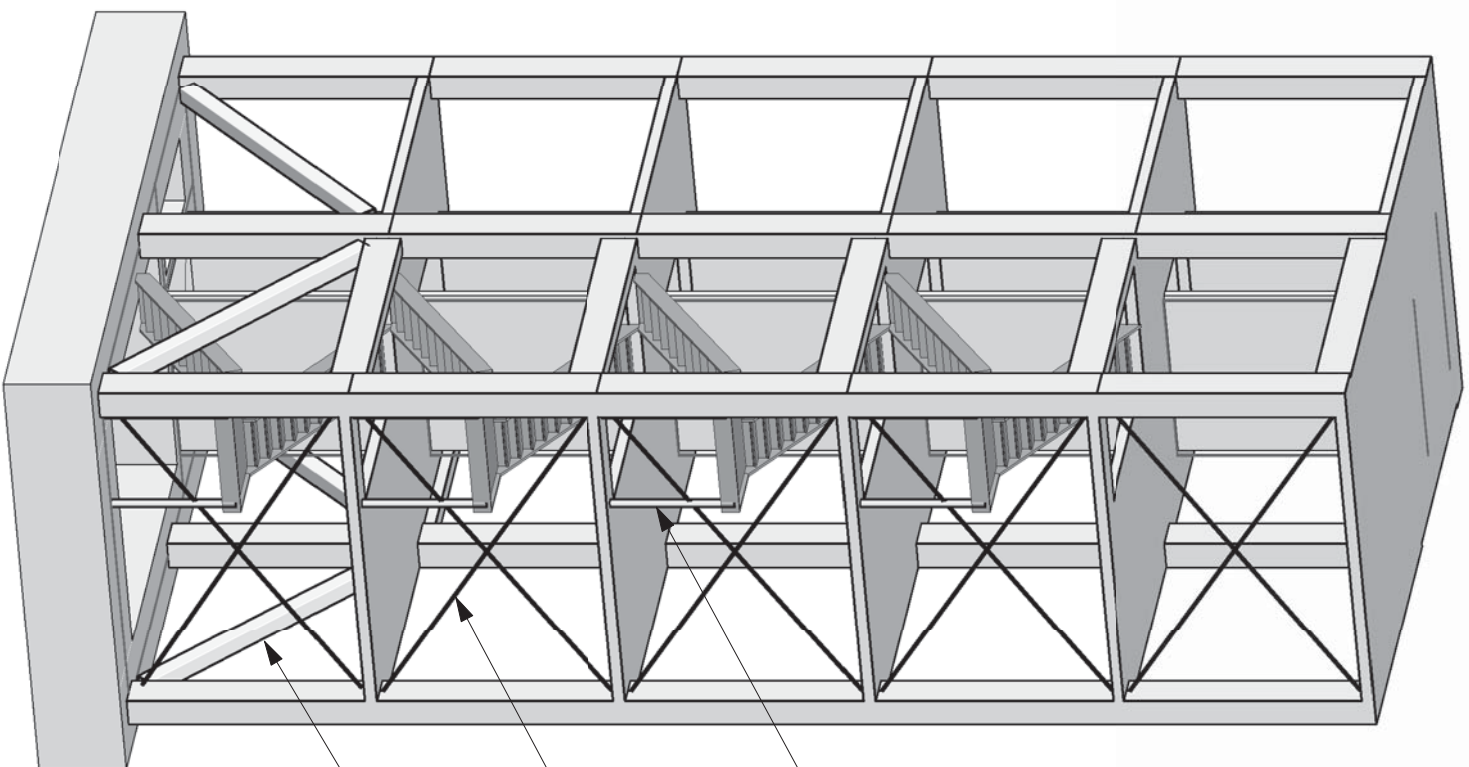
Figure

SK-04

Date

10.15.2010

Design Development



TYPICAL
STAIR SUPPORTS

TYPICAL
1 1/4" Ø A36 ROD
BRACING

TYPICAL
TEMPORARY DIAGONAL
BRACES FOR BASE
ISOLATION TESTING

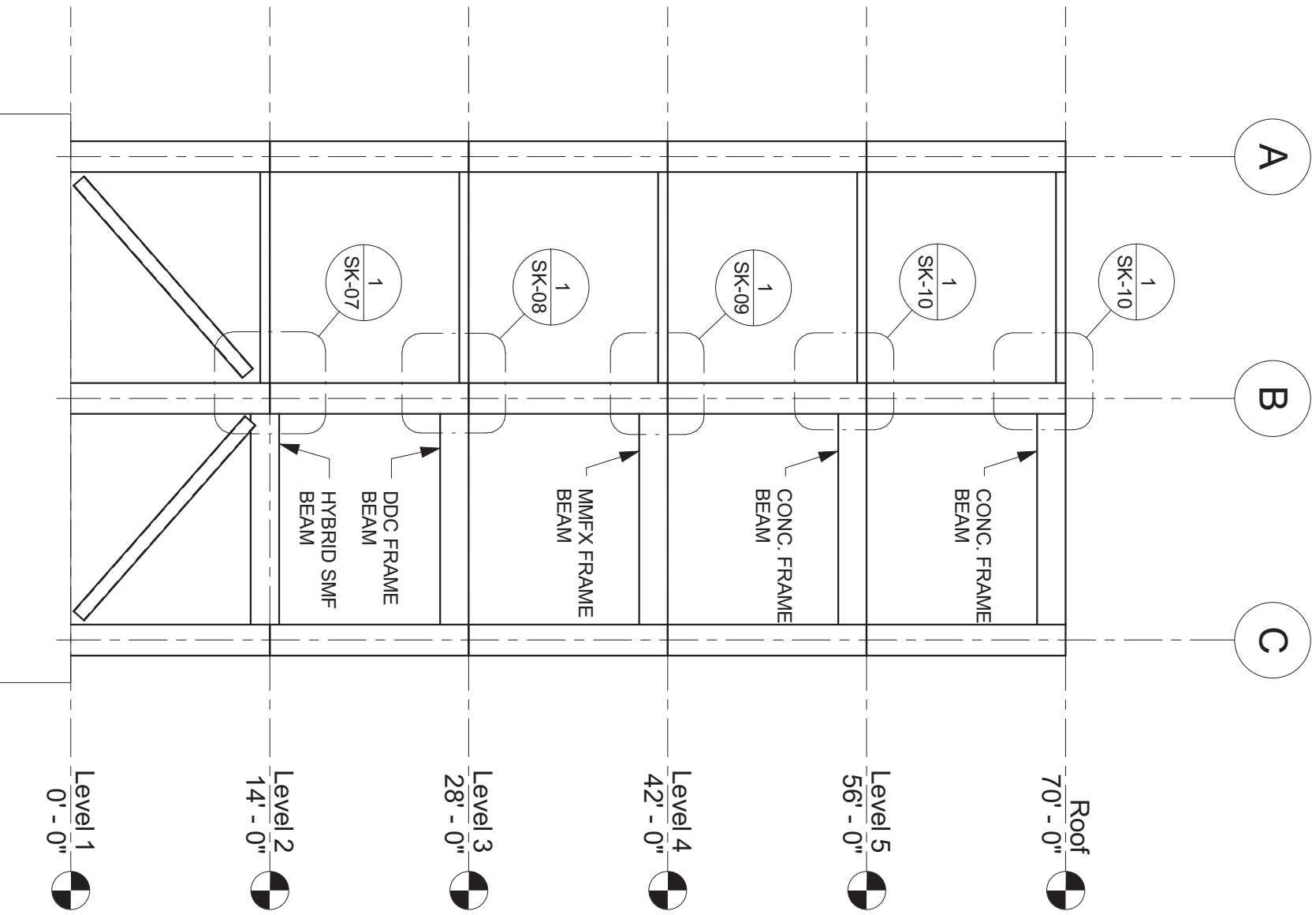
3D VIEW

TEST SPECIMEN A

Figure
SK-05

Date
10.15.2010

Design Development

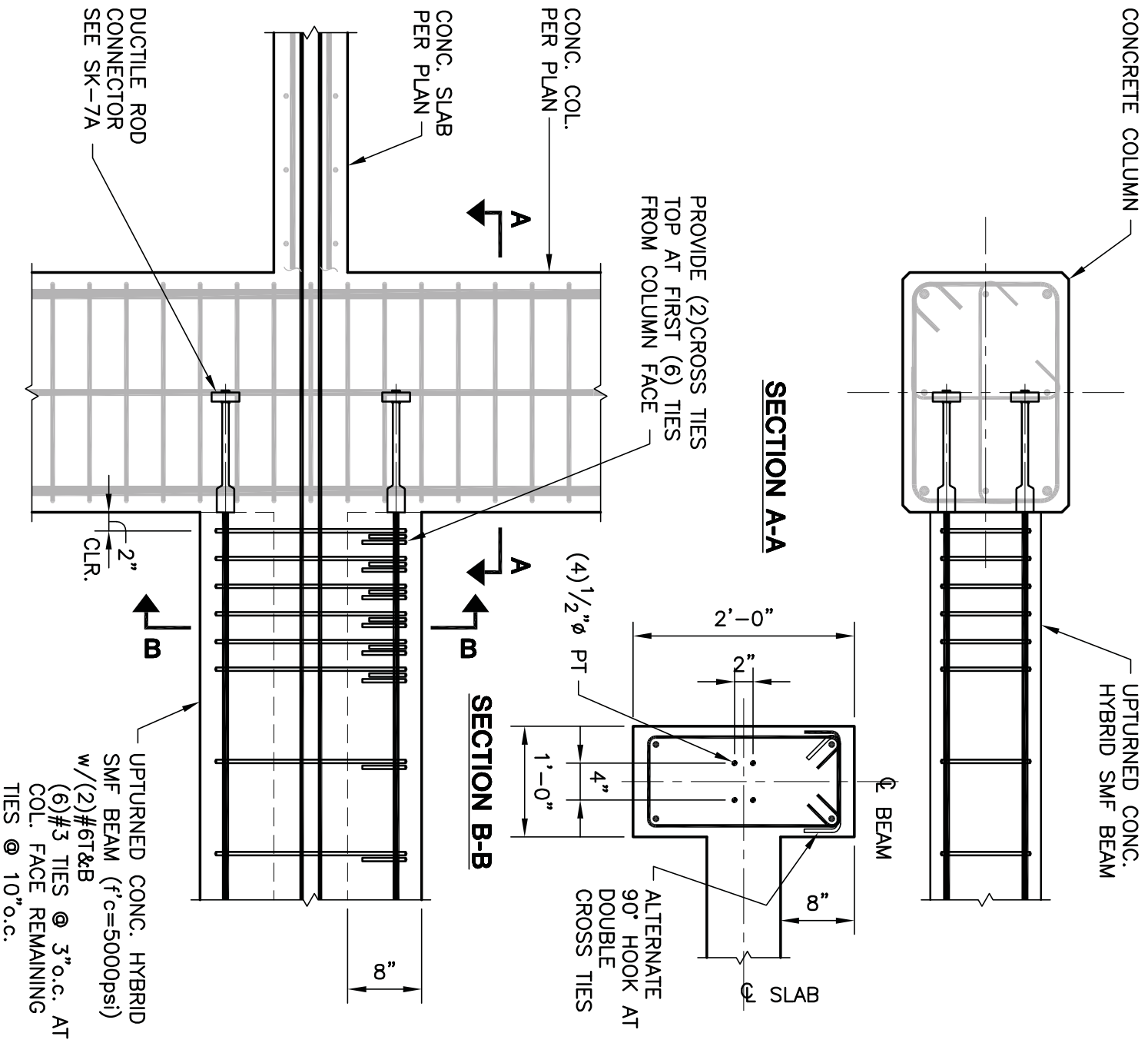


TYPICAL CONCRETE
 FRAME ELEVATION
 TEST SPECIMEN A

Figure
SK-06

Date
 10.15.2010

Design Development



HYBRID SMF MOMENT FRAME DETAIL

1

HYBRID SMF MOMENT FRAME
DETAIL

FIGURE

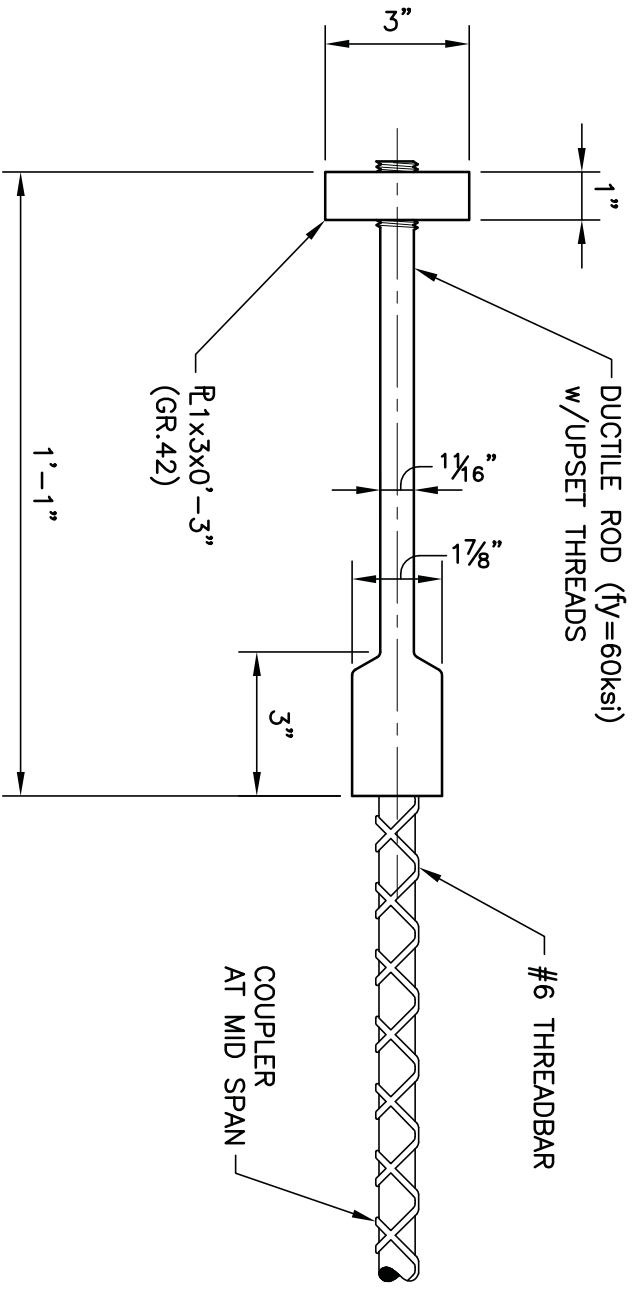
TEST SPECIMEN A

SK-07

DATE

10.15.2010

Design Development



NOTE:
DUCTILE ROD ASSEMBLY SHALL BE TESTED TO T_{max} .

3"=1'-0"

HYBRID SMF DUCTILE ROD DETAIL

1

HYBRID SMF DUCTILE ROD
DETAIL

FIGURE

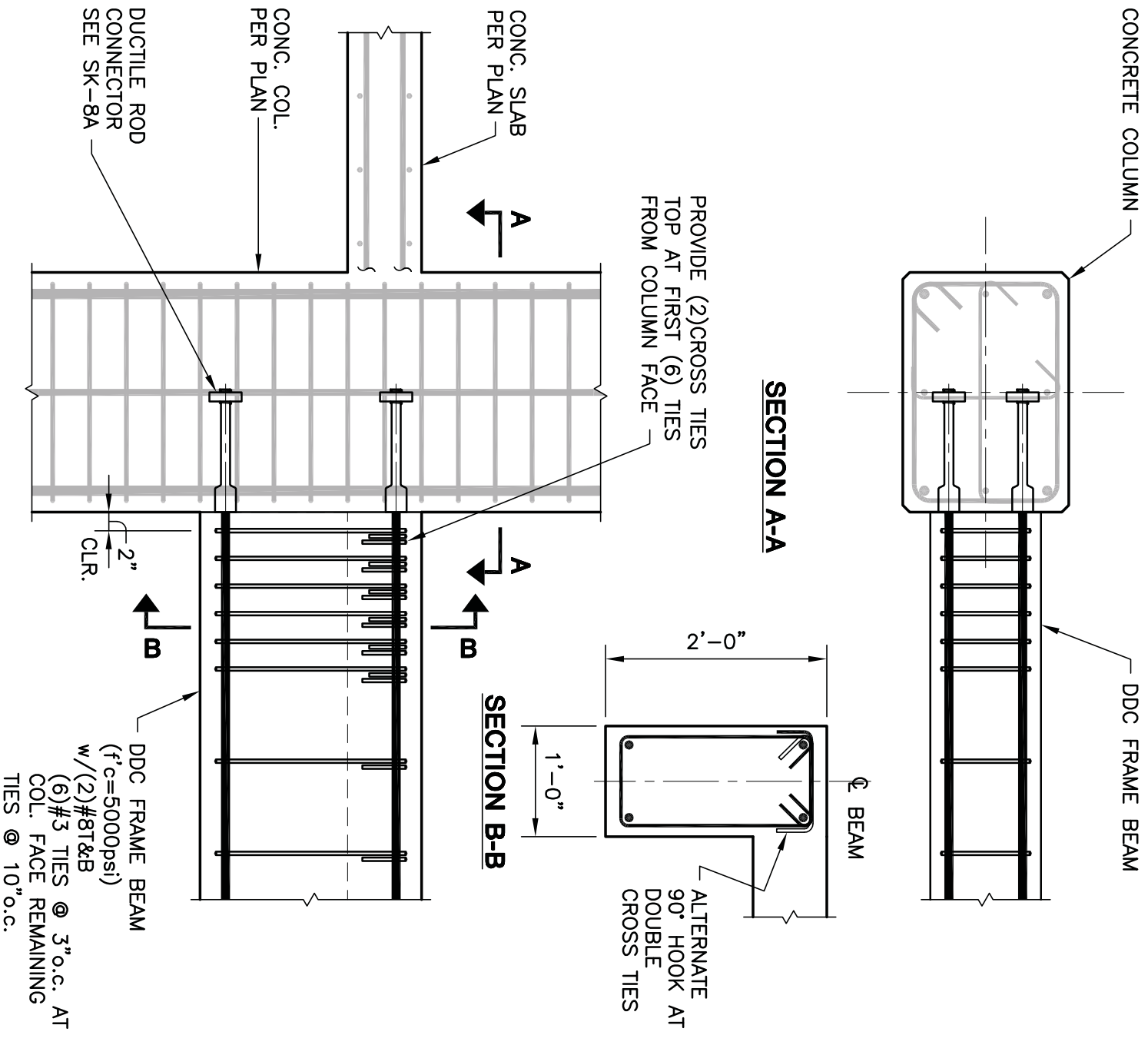
TEST SPECIMEN A

SK-7A

DATE

10.15.2010

Design Development



DDC MOMENT FRAME DETAIL

1

DDC MOMENT FRAME DETAIL

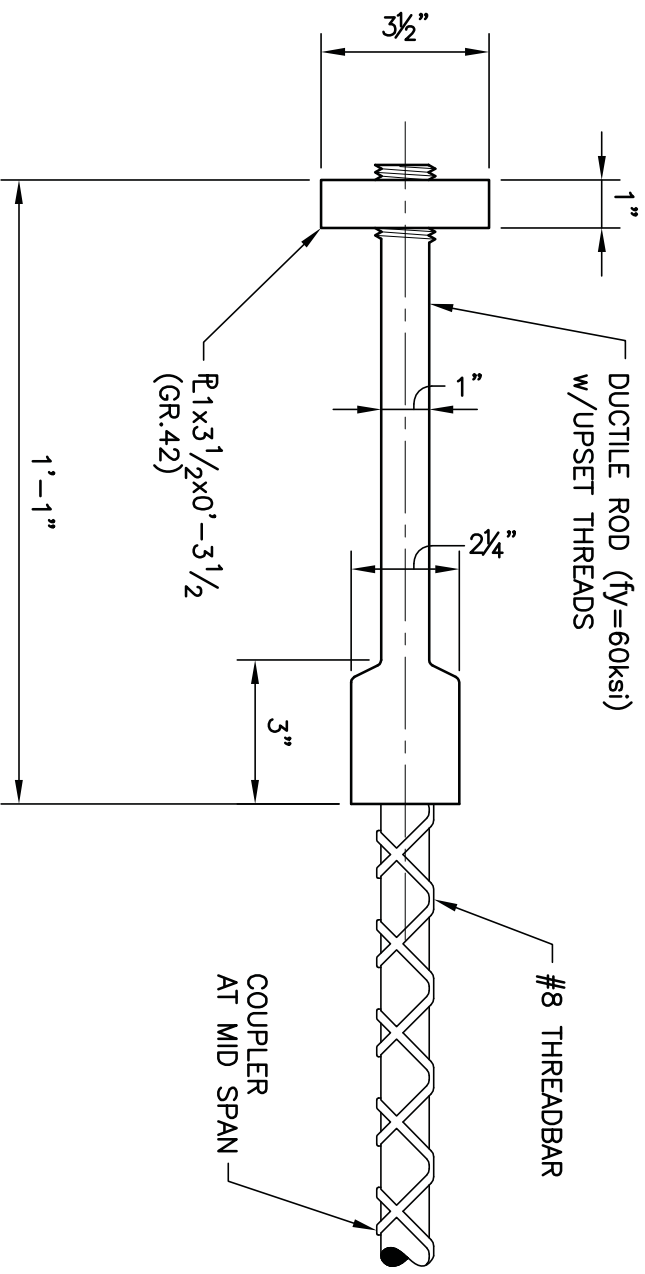
FIGURE

SK-08

TEST SPECIMEN A

DATE
10.15.2010

Design Development



NOTE:
DUCTILE ROD ASSEMBLY SHALL BE TESTED TO T_{max}.

3" = 1' - 0"

DDC FRAME DUCTILE ROD DETAIL 1

DDC FRAME DUCTILE ROD
DETAIL

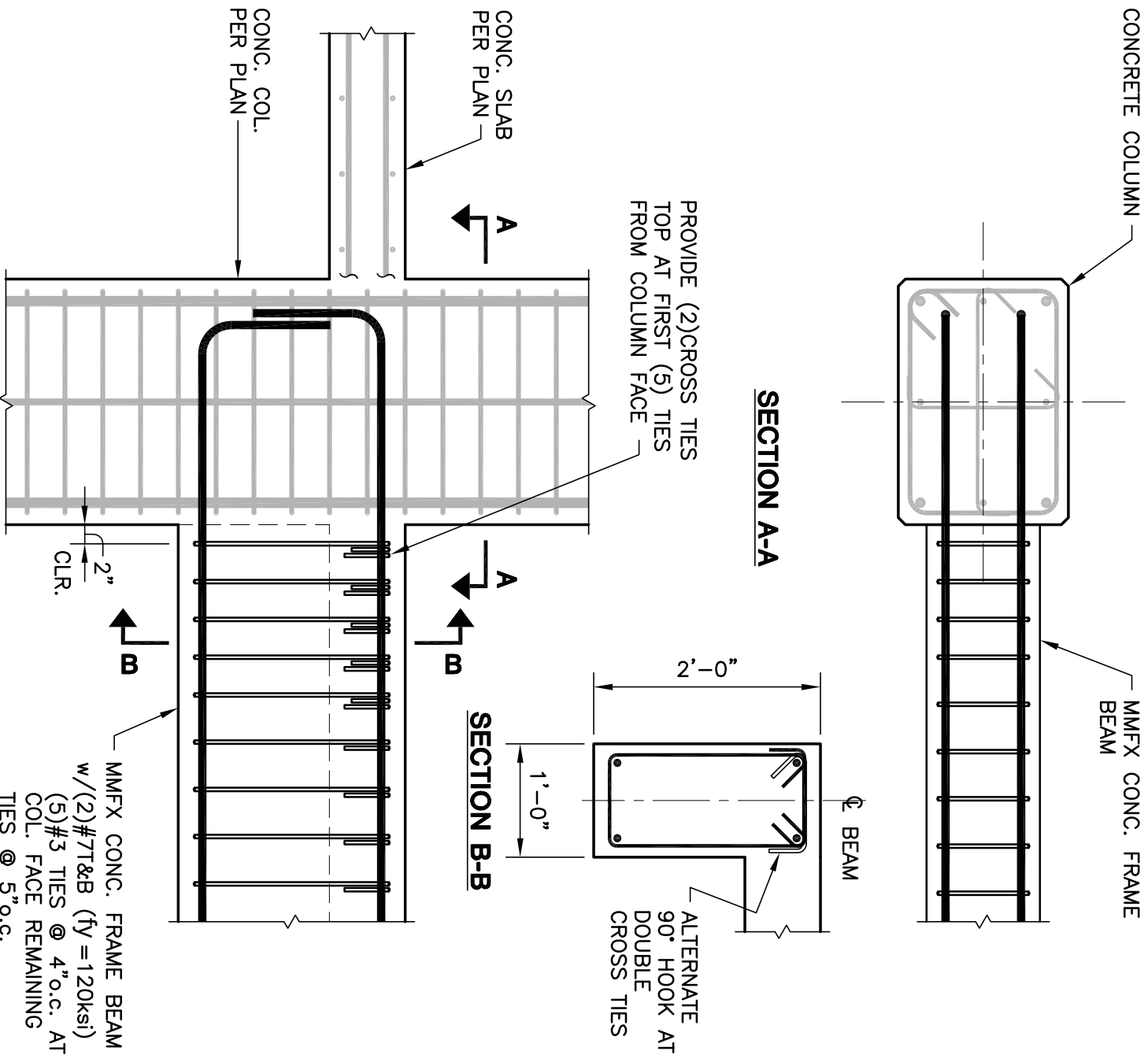
FIGURE

SK-8A

TEST SPECIMEN A

DATE
10.15.2010

Design Development



3/4" = 1'-0"

**CONVENTIONAL REINFORCED MMFX
MOMENT FRAME DETAIL**

1

CONVENTIONAL REINFORCED
MOMENT FRAME DETAIL

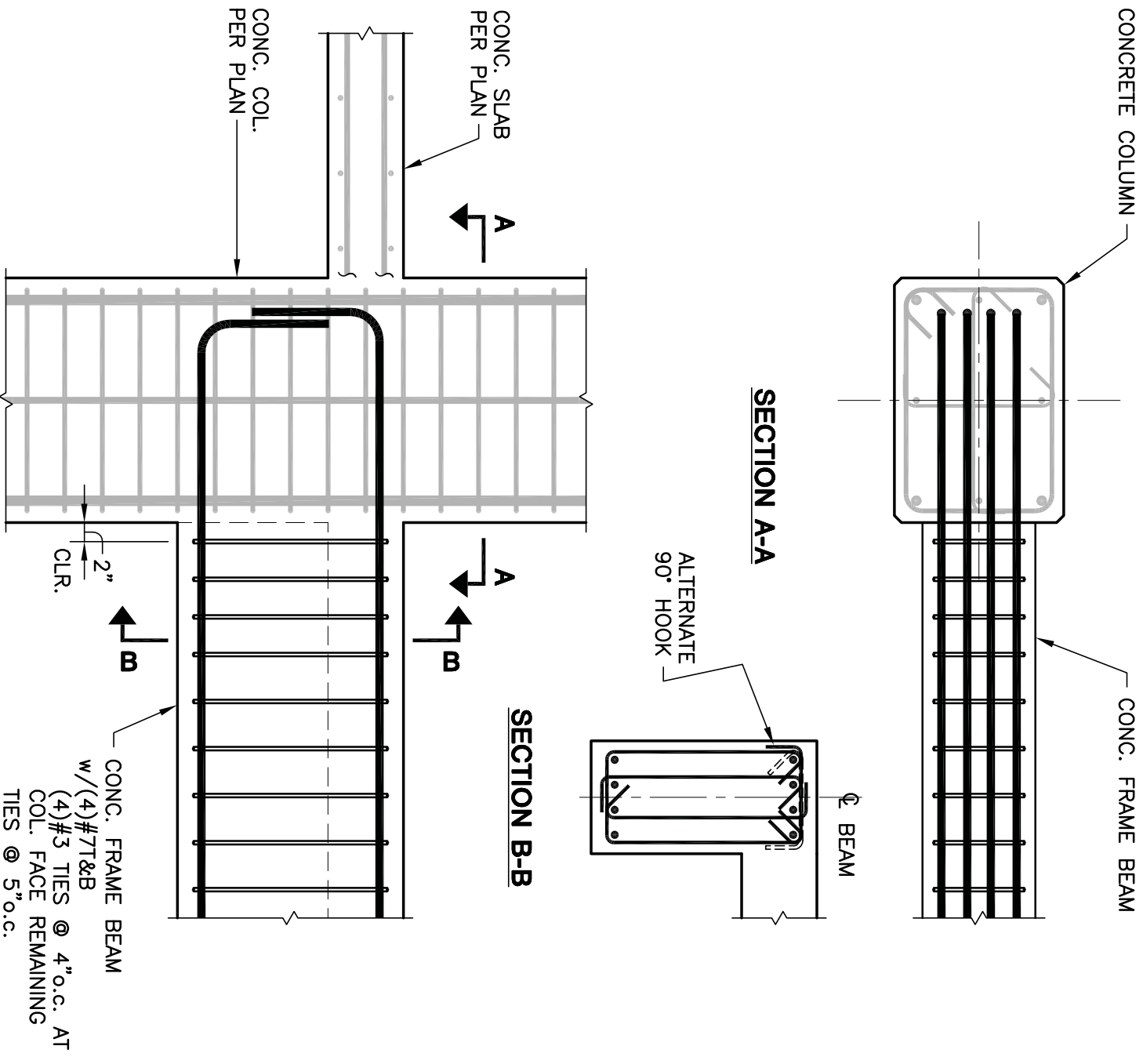
FIGURE

SK-09

TEST SPECIMEN A

DATE
10.15.2010

Design Development



3/4" = 1'-0"

CONC. FRAME BEAM
 w/(4) #7T&B
 (4) #3 TIES @ 4" o.c. AT
 COL. FACE REMAINING
 TIES @ 5" o.c.

CONVENTIONAL REINFORCED MOMENT FRAME DETAIL

1

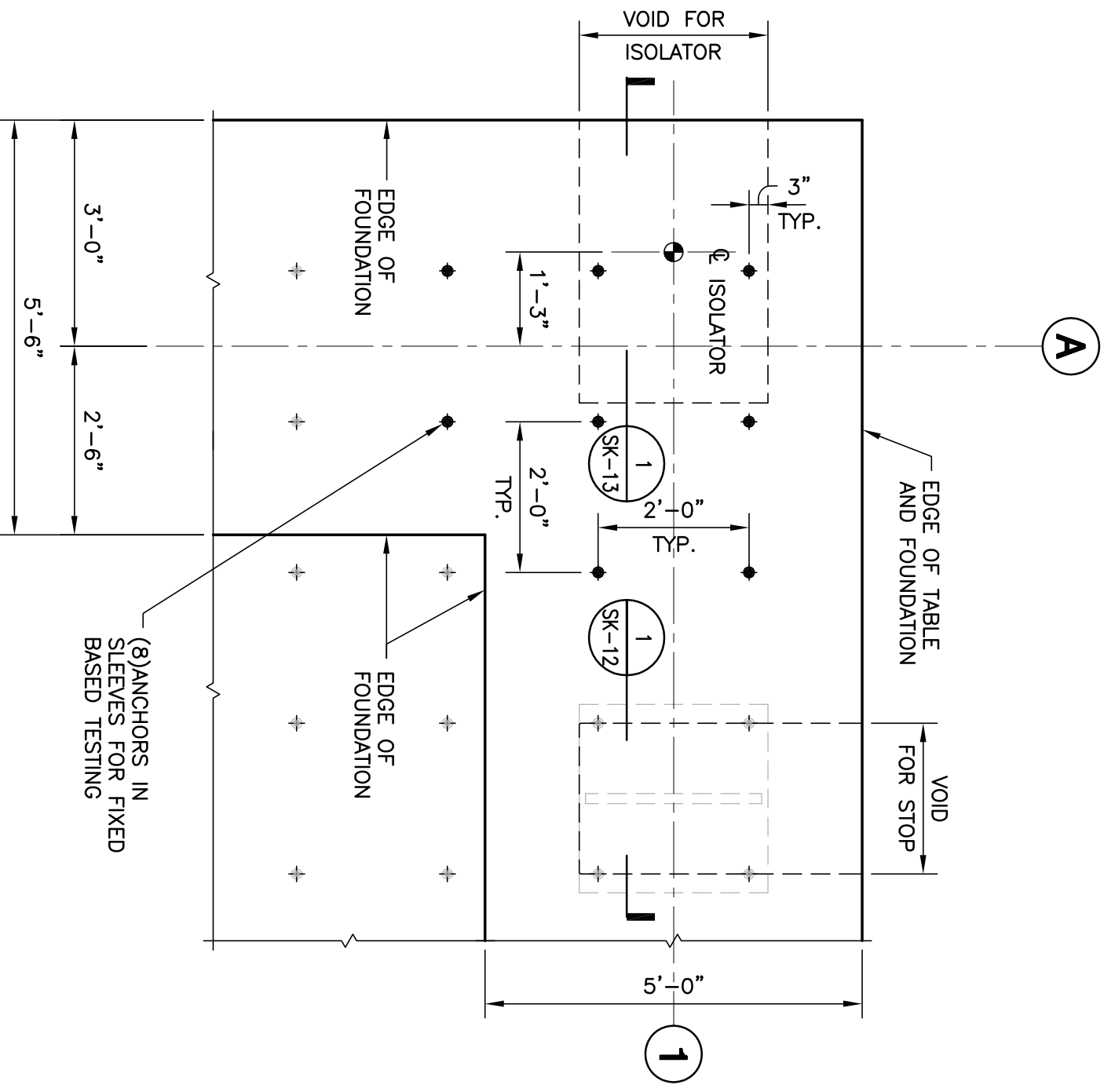
CONVENTIONAL REINFORCED
 MOMENT FRAME DETAIL

SK-10

TEST SPECIMEN A

DATE
 10.15.2010

Design Development



1/2" = 1'-0"

FOUNDATION DETAIL

1

FOUNDATION DETAIL

FIGURE

TEST SPECIMEN A

SK-11

DATE

10.15.2010

Design Development

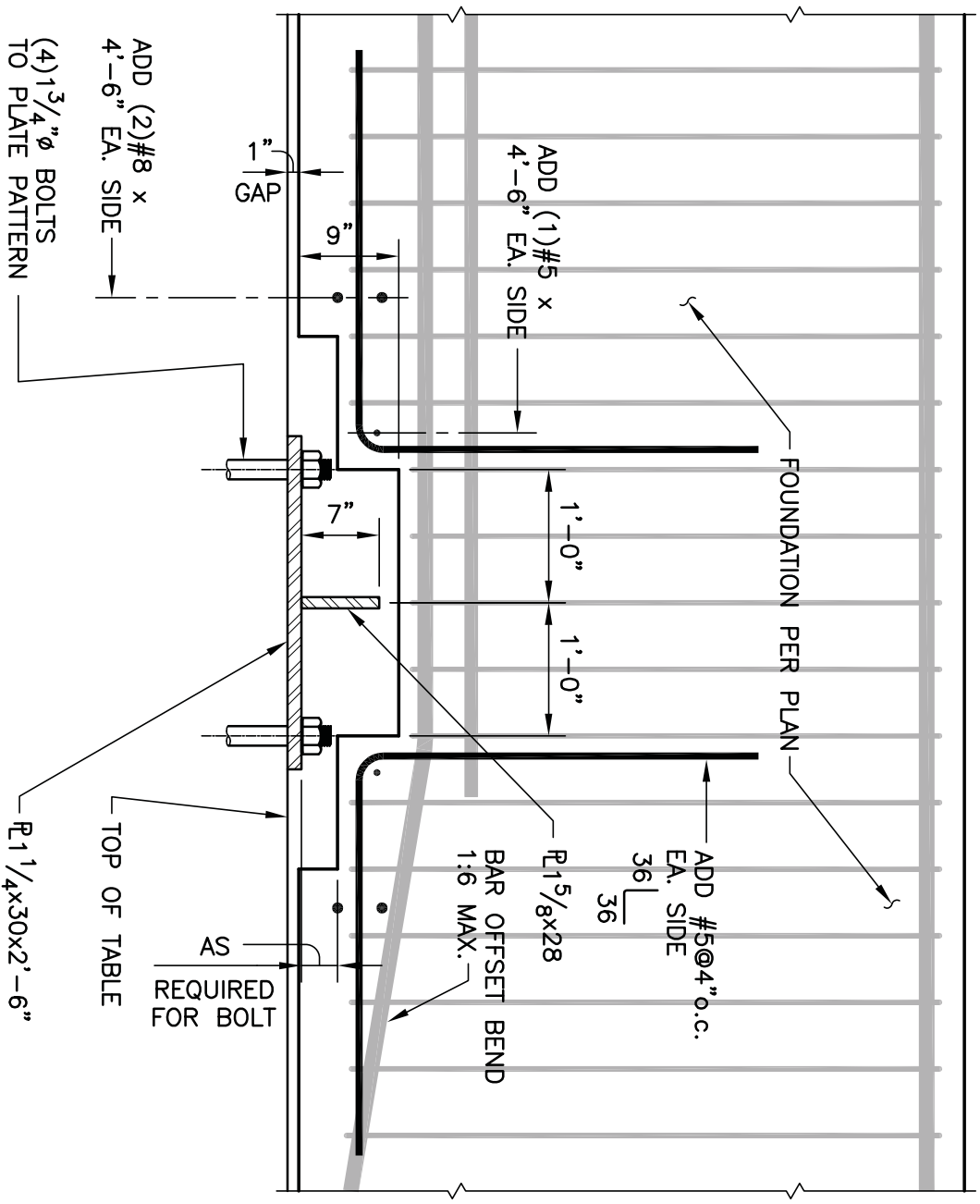


PLATE STOP DETAIL

1

PLATE STOP DETAIL

FIGURE

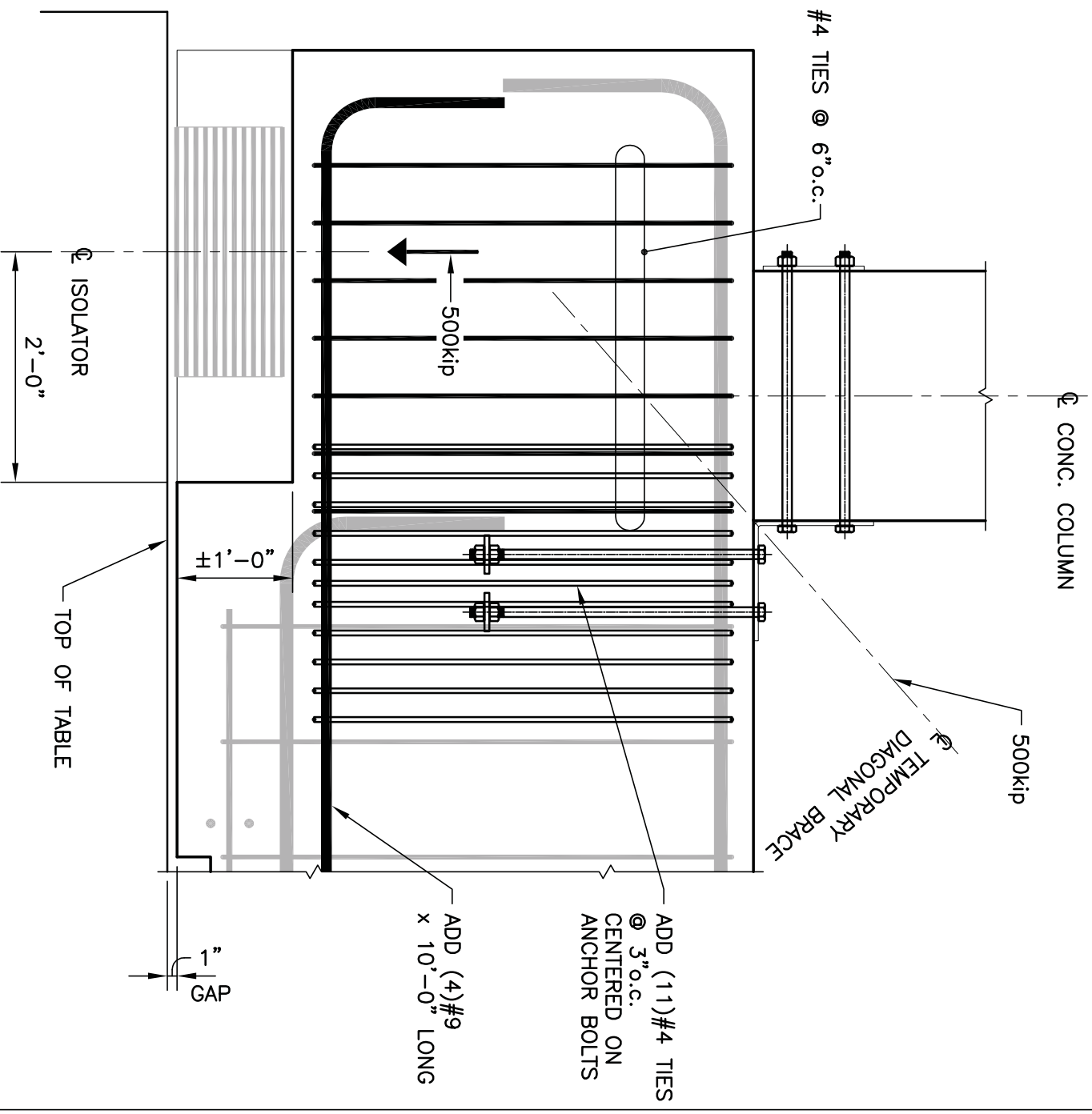
TEST SPECIMEN A

SK-12

DATE

10.15.2010

Design Development



ISOLATOR DETAIL

1

ISOLATOR DETAIL

FIGURE

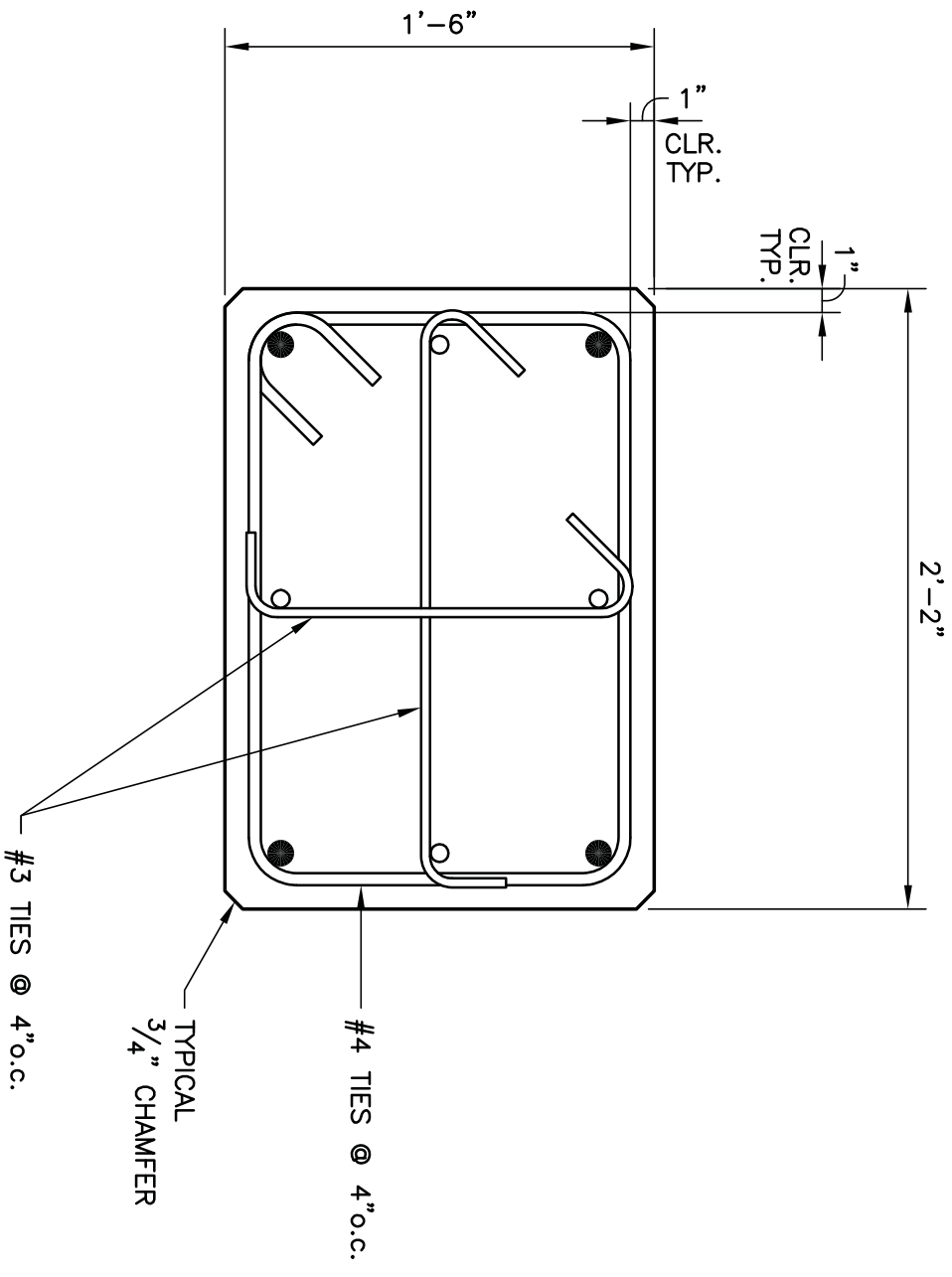
TEST SPECIMEN A

SK-13

DATE

10.15.2010

Design Development



CONCRETE COLUMN 18"x26" ($f_c=5000\text{psi}$)

- INDICATES (4) #9 VERTICAL BARS
- INDICATES (4) #6 VERTICAL BARS

COLUMN DETAIL

1

CONCRETE COLUMN DETAIL

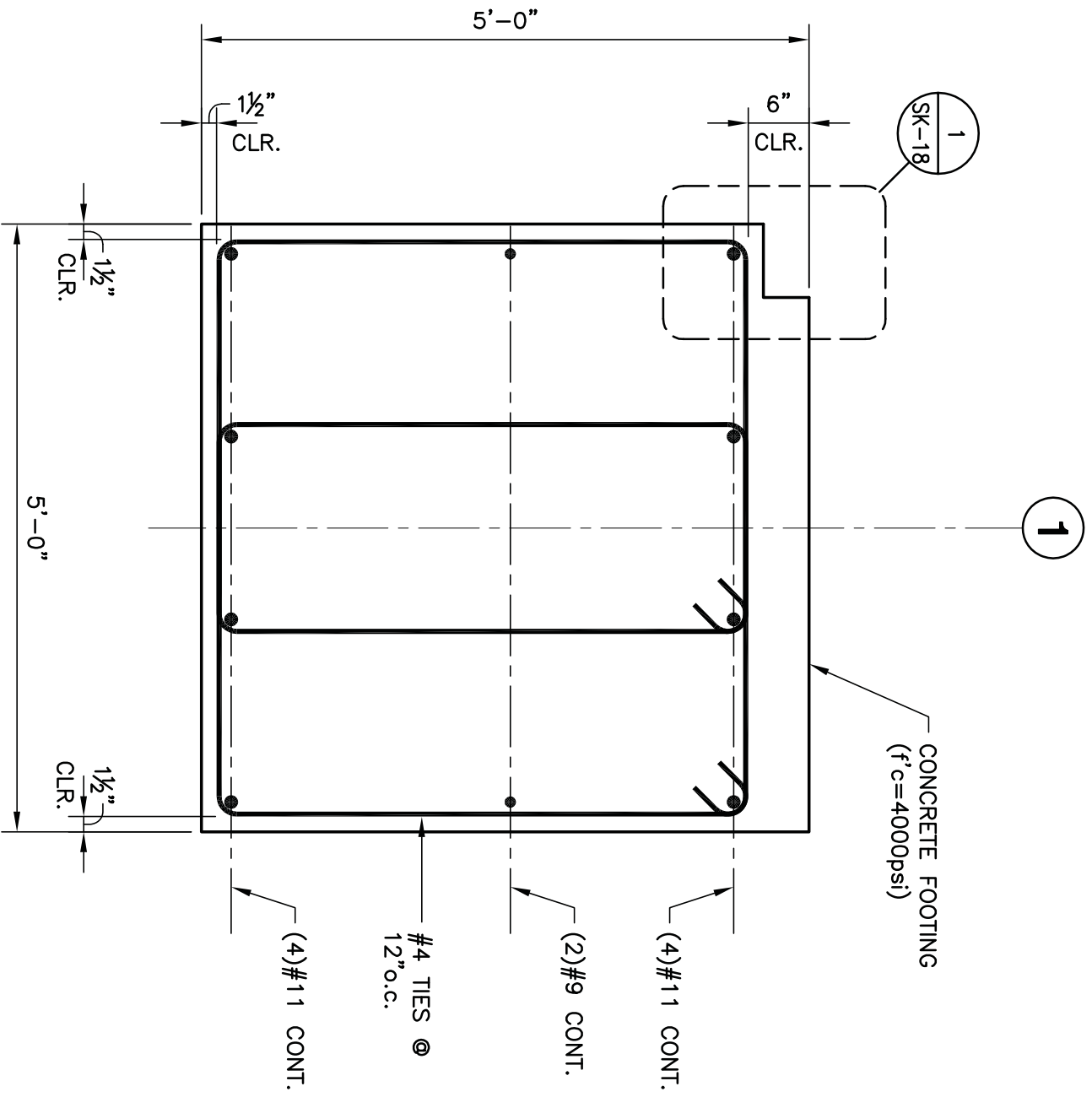
FIGURE

SK-14

TEST SPECIMEN A

DATE
10.15.2010

Design Development



FOOTING DETAIL

1

FOOTING DETAIL

FIGURE

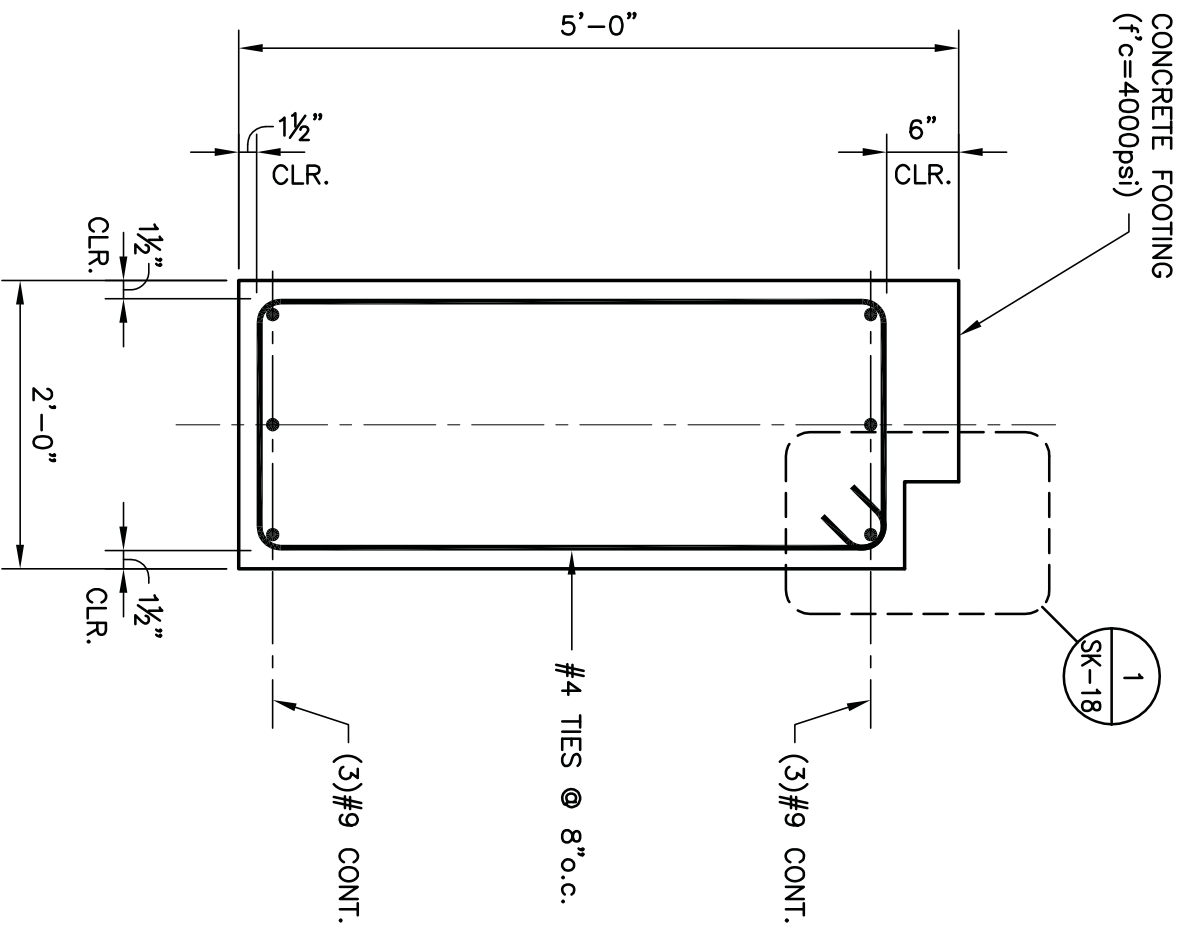
TEST SPECIMEN A

SK-15

DATE

10.15.2010

Design Development



$\frac{3}{4}"=1'-0"$

FOOTING DETAIL

1

FOOTING DETAIL

FIGURE

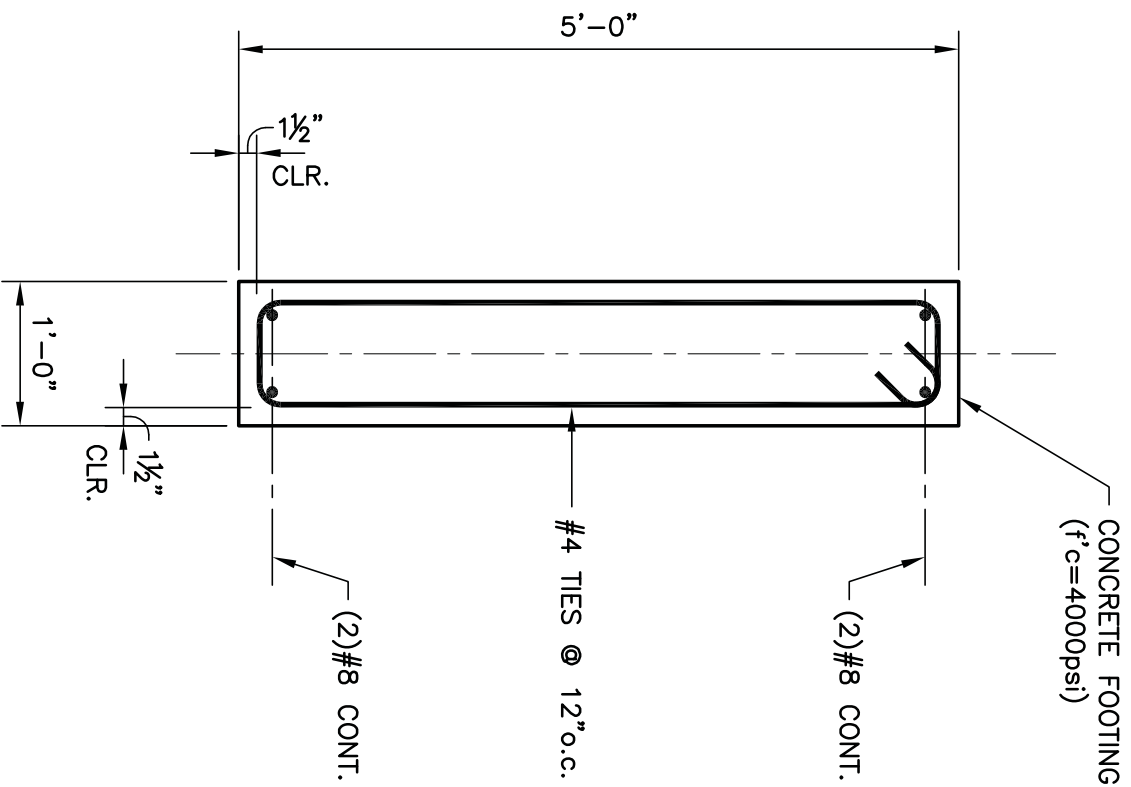
TEST SPECIMEN A

SK-16

DATE

10.15.2010

Design Development



3/4" = 1'-0"

FOOTING DETAIL

1

FOOTING DETAIL

FIGURE

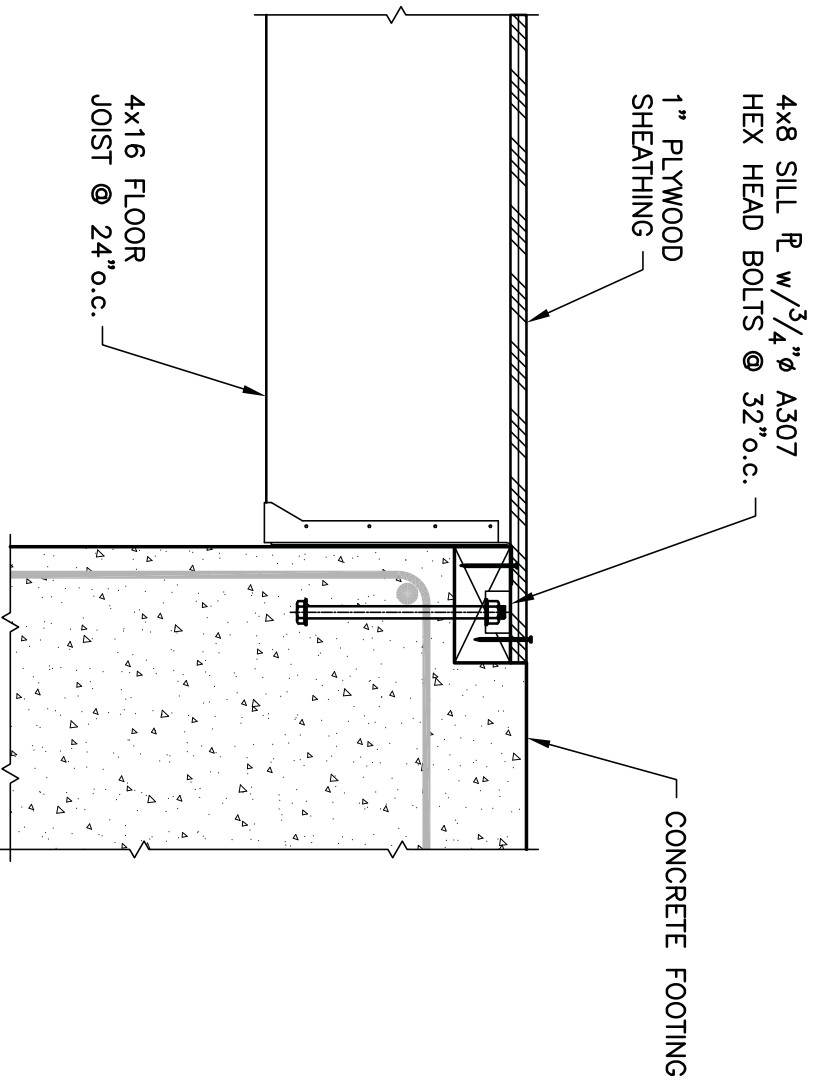
TEST SPECIMEN A

SK-17

DATE

10.15.2010

Design Development



1" = 1'-0"

WOOD FLOOR DETAIL

1

LEVEL 1 WOOD FLOOR
FRAMING DETAIL

TEST SPECIMEN A

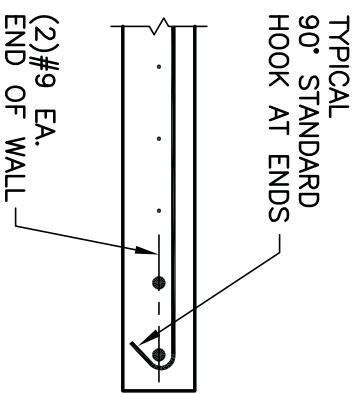
FIGURE

SK-18

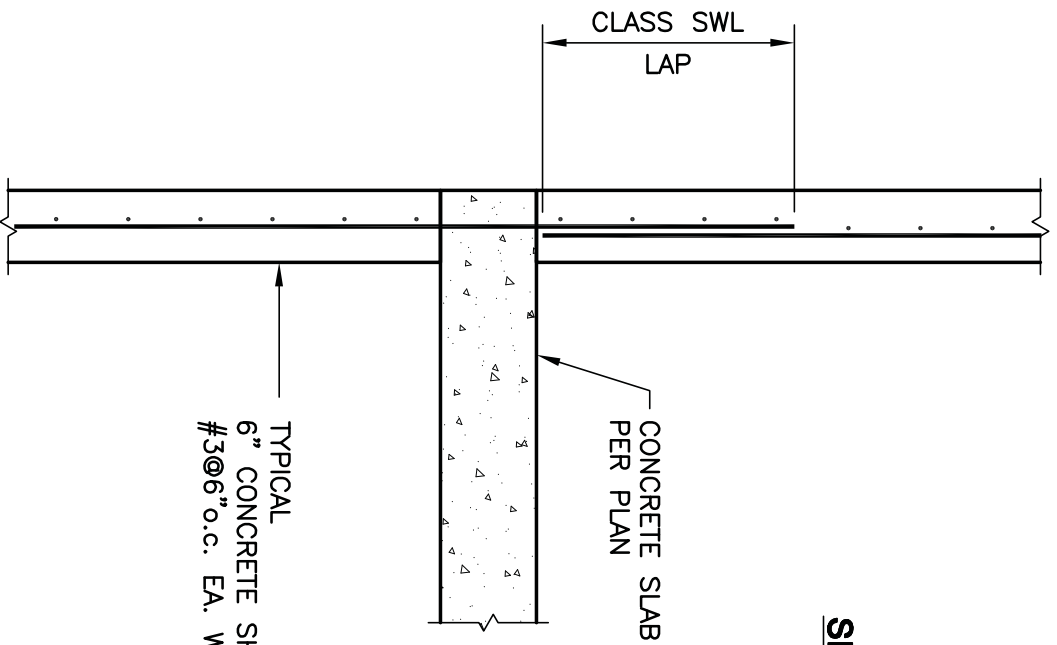
DATE

10.15.2010

Design Development



**SHEAR WALL REINFORCING
AT BOUNDARY**



3/4" = 1'-0"

TYPICAL SHEAR WALL DETAIL

1

SHEAR WALL DETAIL

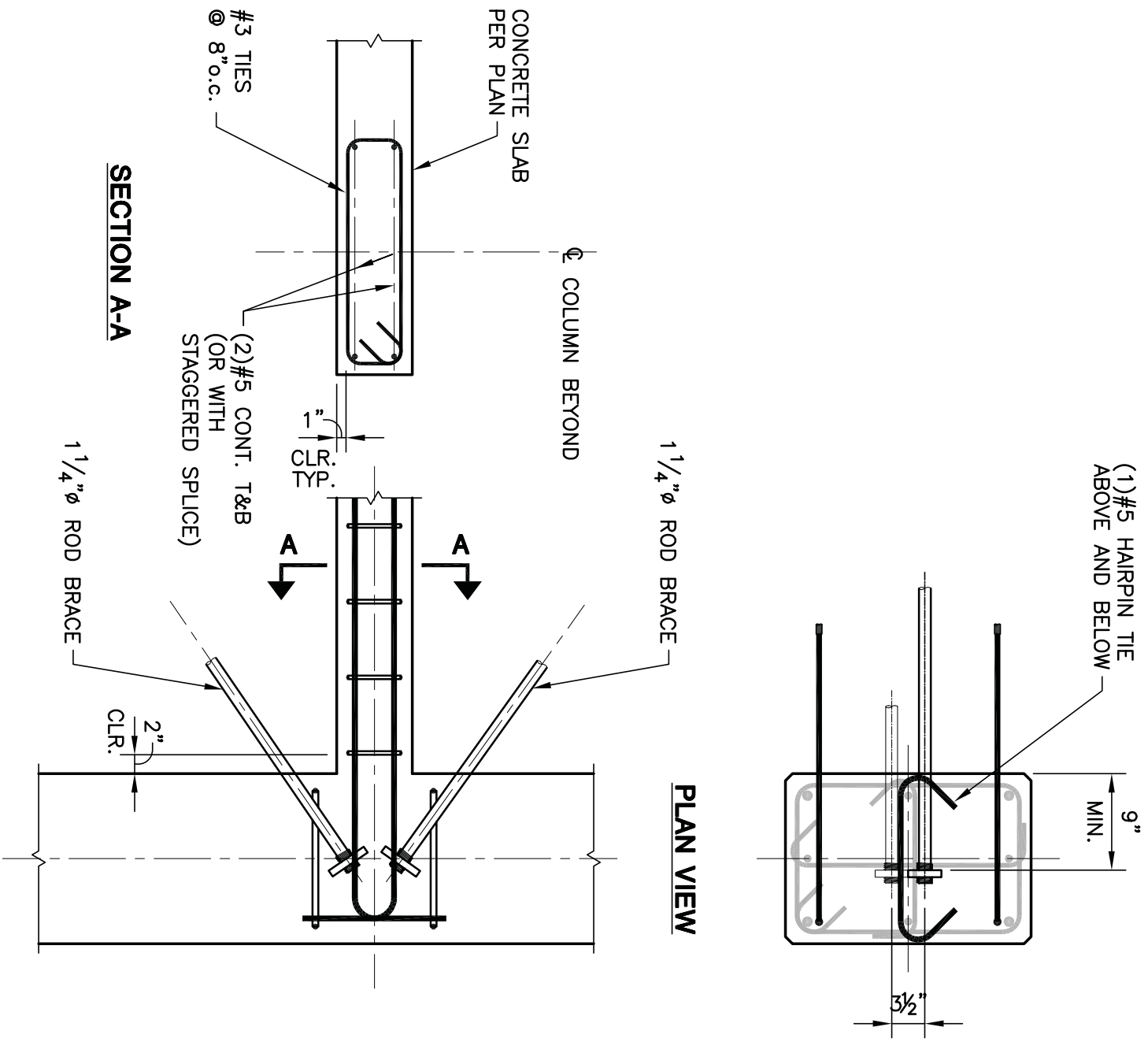
FIGURE

TEST SPECIMEN A

SK-19

DATE
10.15.2010

Design Development



TYPICAL ROD BRACING DETAIL

1

ROD BRACING DETAIL

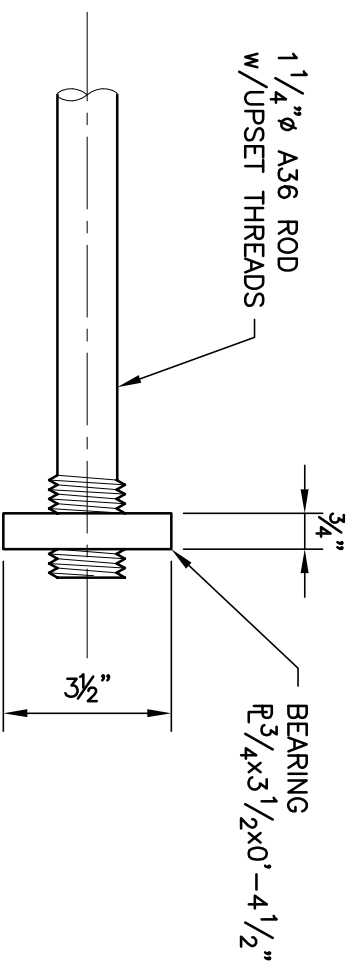
FIGURE

TEST SPECIMEN A

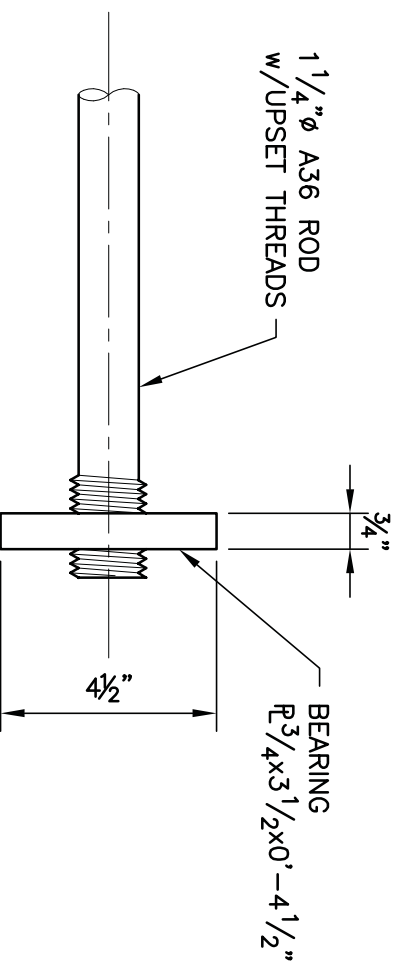
SK-20

DATE
10.15.2010

Design Development



PLAN VIEW



ELEVATION

3" = 1' - 0"

ROD BRACE DETAIL

1

ROD BRACE DETAIL

FIGURE

TEST SPECIMEN A

SK-20A

DATE

10.15.2010

Design Development